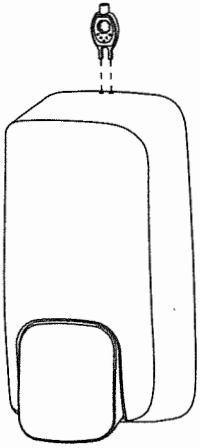
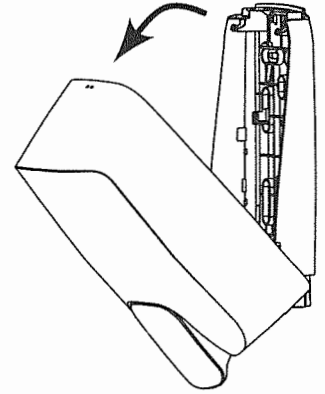


MANUAL SOAP DISPENSER INSTRUCTION



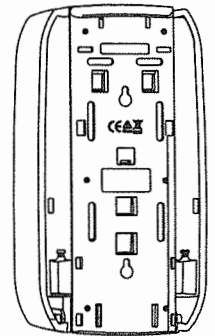
How to open dispenser

To open the dispenser, insert key into key holes located at the top of the dispenser; pull dispenser cover towards you.



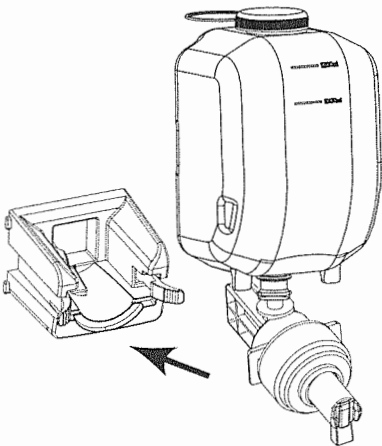
Installation Instruction

1. Hold the dispenser against the wall in the desired location, open cover and mark screw hole locations on the wall.
2. Install the provided anchors into drywall and secure the dispenser with the provided screws.



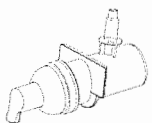
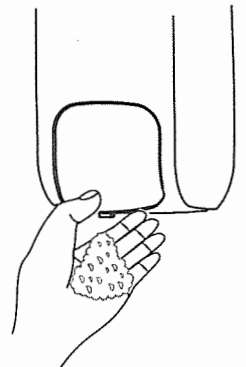
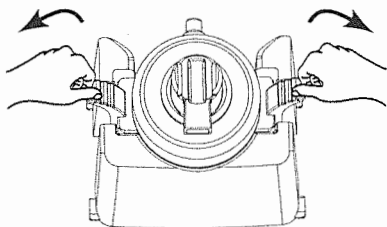
Installing the cartridge

1. Place the cartridge (pouch/bottle) on top of the control box with the pump facing front and down wards. Then push the pump forward and clamp into the groove of the control box. Please ensure that the shape and orientation in the seating corresponds to the shape and orientation of the back of the pump. Make sure pump firmly click into holder.
2. To dismount, place 2 fingers on the flaps and push outwards simultaneously to release the pump. Remove the pump in a forward motion towards you.

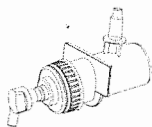


Working Instruction

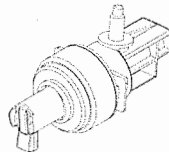
Push the push button, the dispenser would dispense one time accordingly



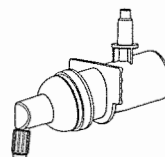
FPK-30
Foam Soap Pump
(0.4ml)



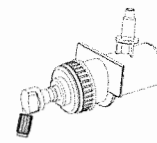
LPK-30
Lotion Soap Pump
(1.0ml)



FPK-43
Foam Soap Pump
(0.75ml)



SPK-30B
Spray Pump
(0.4ml)

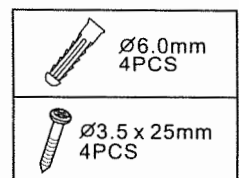
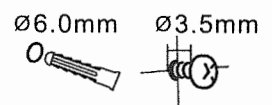
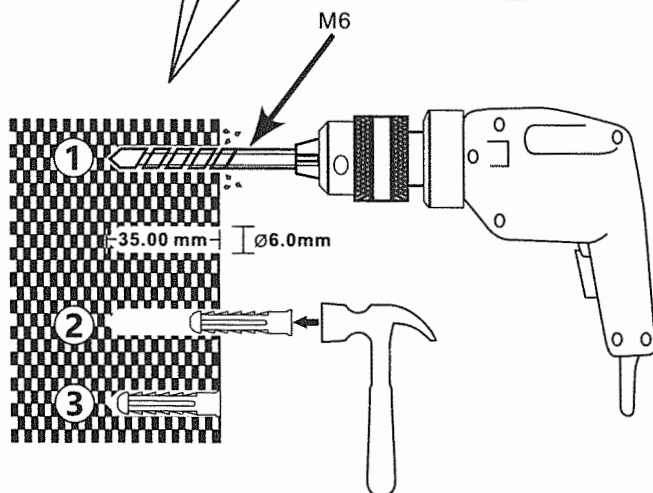
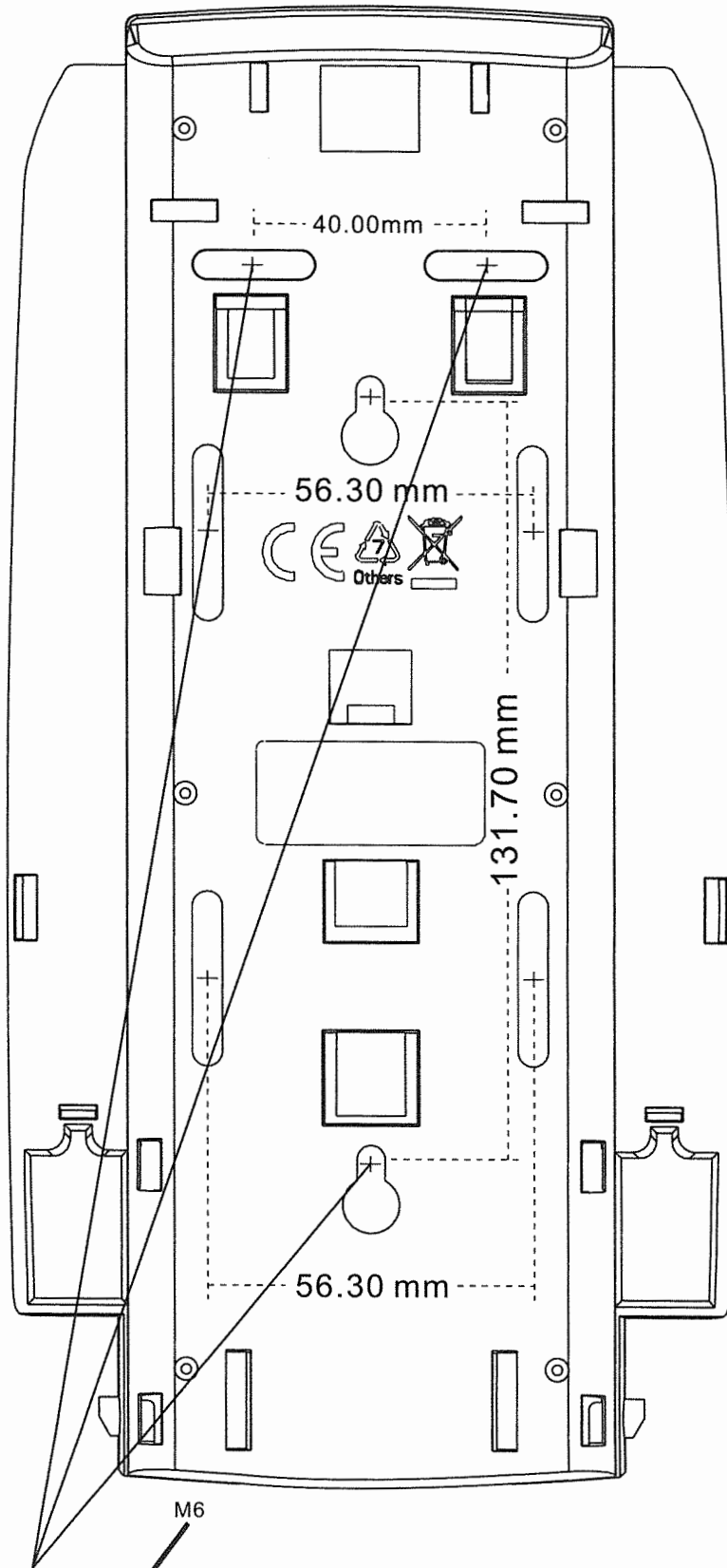


SPK-30
Spray Pump
(1.0ml)

Trouble shooting

If the dispenser could not dispense the liquid in normal, please check whether the cartridge is empty or not, if yes, please fill or replace with a new cartridge. If the problem still persists, please replace with a new pump kit.

Installation drawing



ACCESSORIES