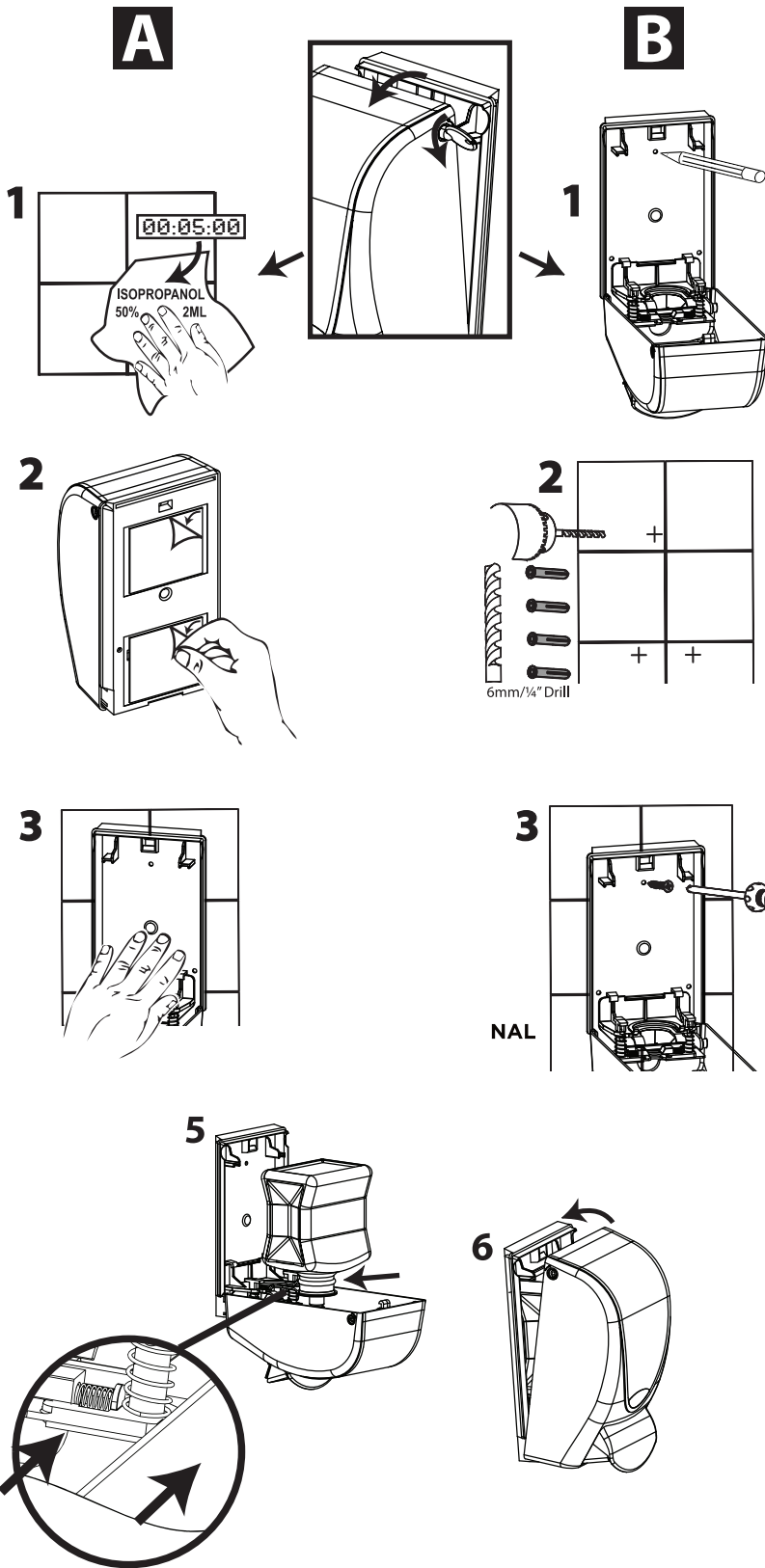
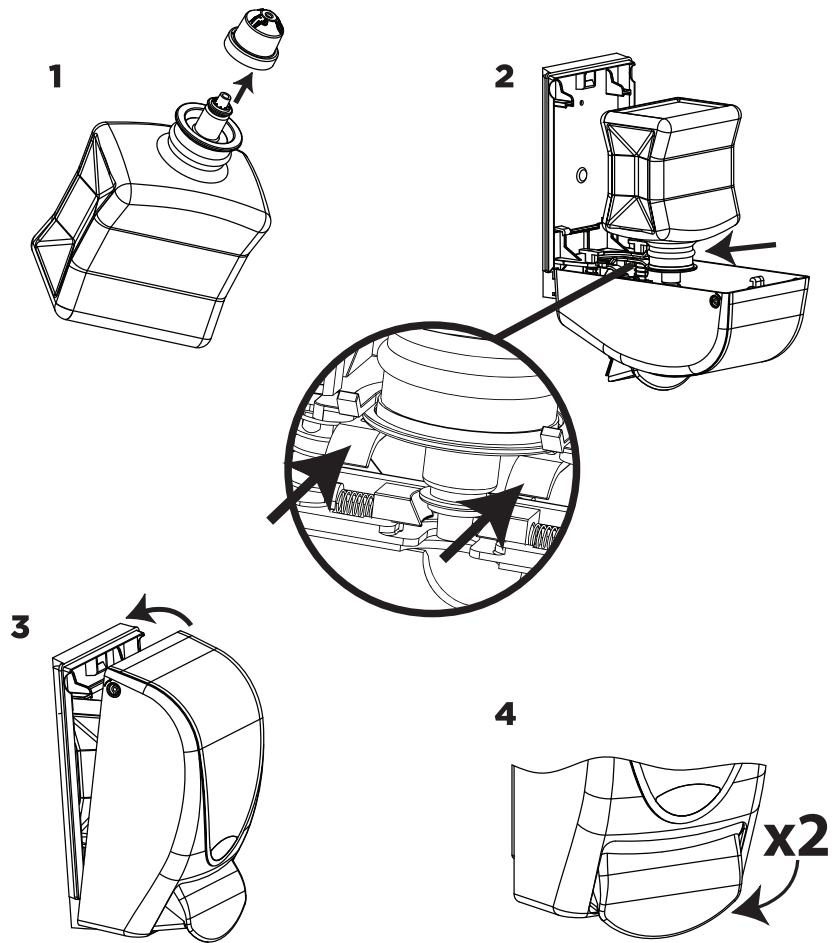


## **1L Manual Dispenser Installation Instructions**

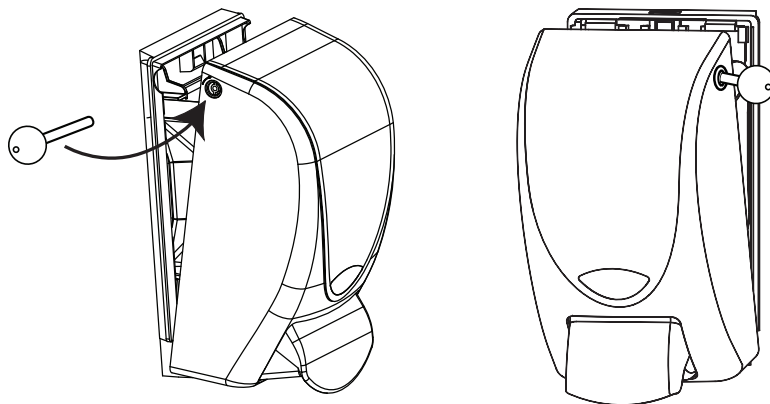
# Tape (A) & Screw (B) Installation Options



## Refill Installation



## Unlock and Lock Instructions



# SC Johnson Professional Warranty & Product Registration

Your new SCJ Professional dispenser has been manufactured from durable plastic components and rigorously tested for high usage environments, providing assurance of quality and long-term cost efficiency. If a dispenser malfunctions or breaks while using our skin care products, we will either repair or replace it at no charge (see **dispenser warranty** for complete details).

Registering your dispensers is fast and easy. Additionally you will have the opportunity to receive updates, product news, promotions and more, so you can stay up to date on the latest from SC Johnson Professional. Registration is required for dispensers sold in the United States of America. The below warranty applies only in the United States of America and to dispensers exclusively using SC Johnson Professional products.



**SC Johnson Professional  
Warranty & Product  
Registration | SC Johnson  
Professional (scjp.com)**



**Manual Dispensers - Tape  
Installation by SC Johnson  
Professional**

1000012148

SC Johnson Professional USA, Inc.  
2815 Coliseum Centre Dr.  
Suite 600,  
Charlotte, NC 28217  
United States  
Telephone: +1 800 248 7190  
www.scjp.com

This information and all further technical advice is based upon our present knowledge and experience. However, it implies no liability or other legal responsibility on our part, including with regard to existing third party intellectual property rights, especially patent rights. In particular, no warranty, whether express or implied, or guarantee of product properties in the legal sense is intended or implied. We reserve the right to make any changes according to technological progress or further developments.  
© 2024 SC Johnson Professional USA, Inc.

**scJohnson**  
**PROFESSIONAL**  
A family company®